

Description : Capital 300

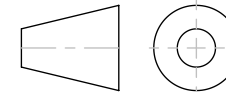
Code : AL5014

Revision : 01

Scale : 1:8

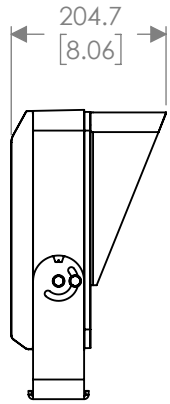
SHEET 1 OF 3

DIMENSIONS ARE IN MILLIMETERS [BRACKETED DIMENSIONS ARE IN INCHES]

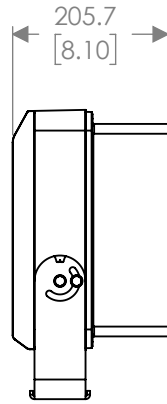


**GRIVEN** 

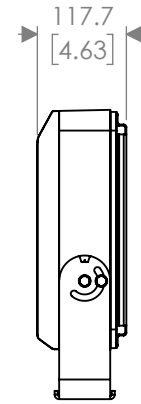
<http://www.griven.com>



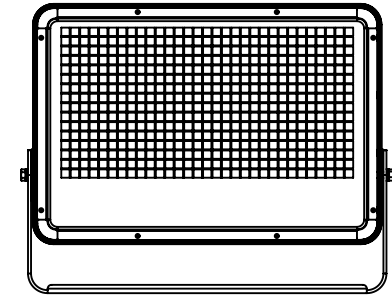
With Visor AL8235



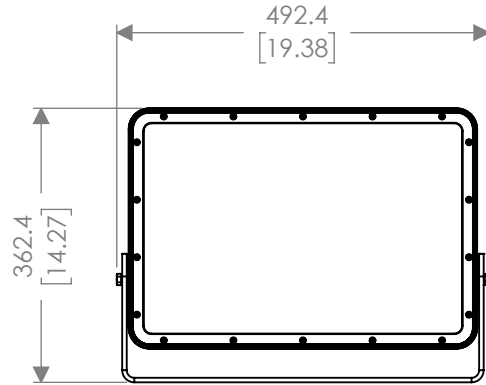
With Snoot AL8236



With Wire Guard AL8237



With 3G Bracket AL8260



Description : Capital 300

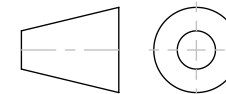
Code : AL5014

Revision : 01

Scale : 1:10

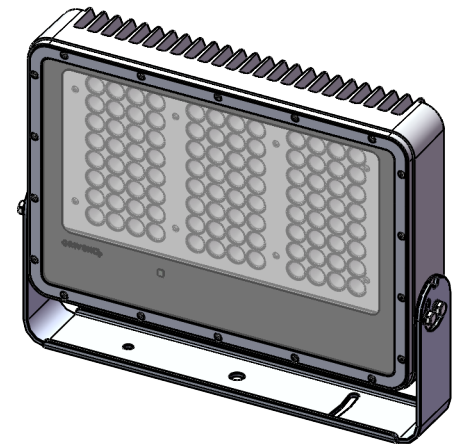
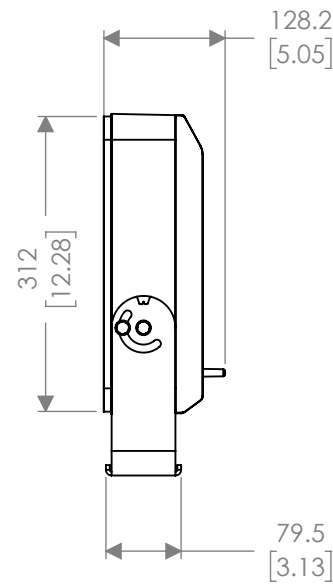
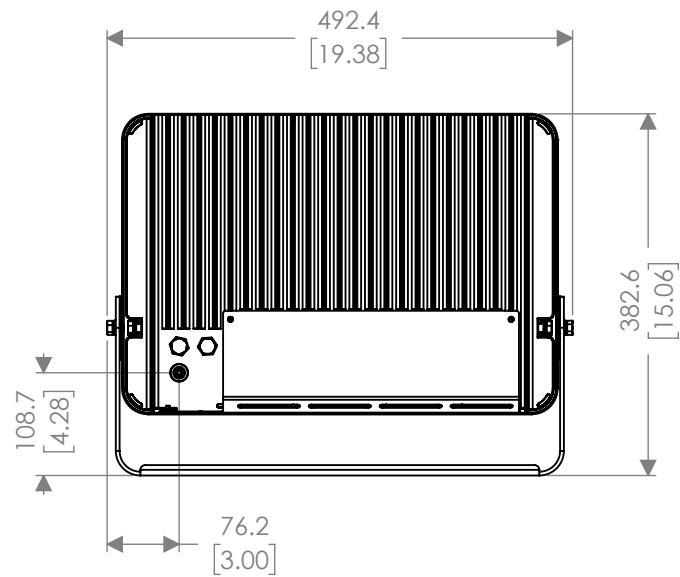
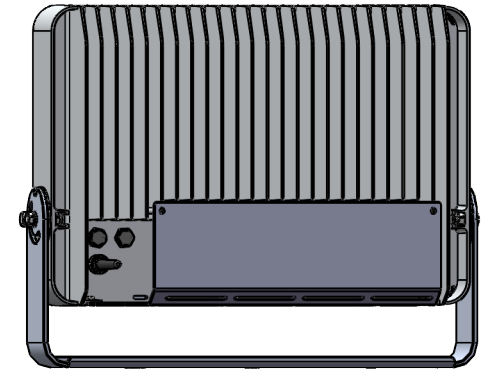
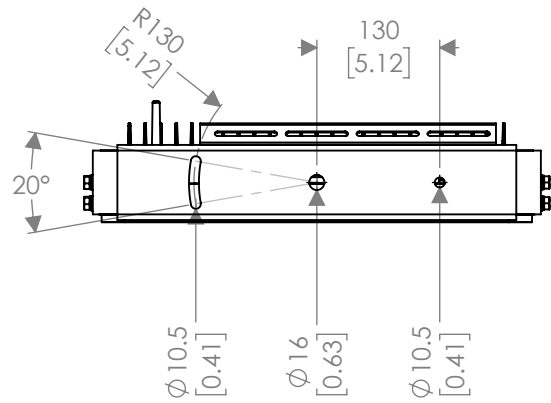
SHEET 2 OF 3

DIMENSIONS ARE IN MILLIMETERS [BRACKETED DIMENSIONS ARE IN INCHES]



**GRIVEN** 

<http://www.griven.com>



Description : Capital 300 - Wireless DMX Integrated

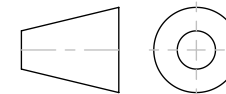
Code : AL5014

Scale : 1:8

SHEET 3 OF 3

Revision : 01

DIMENSIONS ARE IN MILLIMETERS [BRACKETED DIMENSIONS ARE IN INCHES]



**GRIVEN** 

<http://www.griven.com>